



Asentria® | Environmental Monitoring EventSensors

OVERVIEW

When combined with their respective external accessories, Asentria base units have the capabilities to monitor many different environmental factors within a cabinet or equipment room. Commonly monitored environmental factors include temperature, fire, air-flow, and presence of water. Left unattended, any of these conditions can potentially cause catastrophic failure of equipment at a remote site.

ASENTRIA SENSORJACK™ SENSORS

The Asentria SensorJack sensors are economical single-purpose environment sensors that connect to the SensorJack RJ45 ports found on the latest Asentria base unit models. Note that older base units do not have a SensorJack port. Multiple sensors (up to 16) can be daisy-chained to a single SensorJack port. Each SensorJack sensor includes an accessory kit to mount the probe-end of the sensor onto various types of surfaces, via adhesive-backing or screw-mount.

SENSORJACK™ TEMPERATURE/HUMIDITY SENSOR

The temperature sensor measures temperature ranges inside a cabinet or equipment room, or the temperature of a specific component if applied directly to that component. Indoor or outdoor all-weather use.

The temperature/humidity sensor measures both temperature and relative humidity level in one compact device. For indoor use only; outdoor model coming soon.



- Operating temperature: -25 to 85°C (-13 to 185°F)
 - Temperature accuracy: ±1°C typical, ±2.5°C maximum
 - Response time: 2 minutes
 - Humidity range: 0-95%, non-condensing
 - Humidity accuracy: ±1% typical, ±8% maximum
- Temperature sensor, 8ft cable (ESJ-TA8).....\$40
 - Temperature sensor, 50ft cable (ESJ-TA50).....\$60
 - Temp./humidity sensor, 8ft cable (ESJ-TH8).....\$115
 - Temp./humidity sensor, 50ft cable (ESJ-TH50).....\$130

EVENTSENSOR TEMPERATURE/HUMIDITY SENSOR

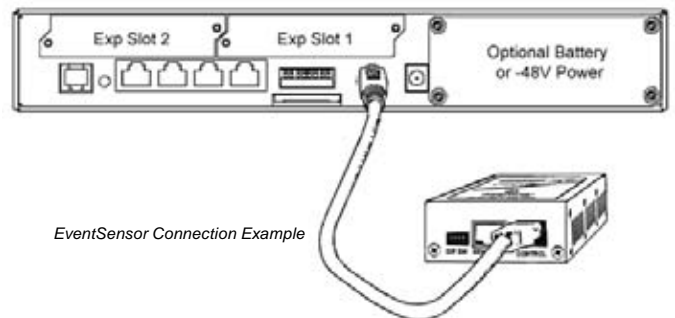
The Asentria EventSensor environment-sensing modules connect to an EventSensor RJ45 port on the Asentria base unit. Multiple sensors (up to 16) can be daisy-chained to a single EventSensor port. The EventSensor port can provide power for up to (16) EventSensor modules. Depending on distance, additional AC power supplies (see Miscellaneous Accessories) may need to be plugged into Event Sensors along the chain.

The temperature sensor measures temperature ranges inside a cabinet or equipment room. The temperature/humidity sensor measures both temperature and relative humidity level in one compact device. For indoor use only.



- Dimensions: 2.6 x 3.6 x 1.1 inches (6.6 x 9.2 x 2.8 cm)
 - Power usage: 30mA at 15 VDC
 - Operating temperature: -25 to +85°C
 - Temperature accuracy: ±0.50°C typical, ±1.0°C maximum
 - Humidity range: 0-100% non-condensing, 25°C
 - Humidity accuracy = ±1% typical, ±4% maximum
- Temperature sensor (ES-T).....\$145
 - Temperature/humidity sensor (ES-TH).....\$220

*Compensation is required for temperature rise due to internal unit heating and airflow.





Asentria® | Environmental Monitoring EventSensors

EVENTSENSOR™ COUPLER/ADAPTERS AND CABLES

SensorJack and EventSensor sensors can be chained, split, and extended with EventSensor RJ45 connectors and RJ45 cables. Up to 16 sensors can be chained to a single SensorJack or EventSensor port on the Asentria base unit. Use EventSensor RJ45 cables to extend the reach of your SensorJack and EventSensor environment sensors. Maximum total length of each sensor cable chain is 100 feet. If your Asentria base unit has a mini-DIN style EventSensor port, you must use the ES-CAB8 cable to adapt to the RJ45-style EventSensor port. Note: EventSensor cable is standard CAT5e Ethernet cable.

- RJ45 Coupler (4162-007).....\$3
- RJ45 Splitter (4162-011).....\$4
- Extra SensorJack Probe-End Install Kit (5006-007).....\$3
- EventSensor RJ45 cable, 1 FT (2065-101).....\$3
- EventSensor RJ45 cable, 6 FT (2065-020).....\$5
- EventSensor RJ45 cable, 14 FT (2065-014).....\$10
- EventSensor RJ45 cable, 25 FT (2065-025).....\$15
- EventSensor RJ45 cable, 50 FT (2065-050).....\$25
- EventSensor RJ45 cable, 100 FT (2065-100).....\$40
- ES Adapter (9-pin Mini-DIN to RJ45) (ES-CAB8).....\$25

If your Environmental EventSensor requires external power, see “Miscellaneous Accessories” section for Power Supplies and Cords. Power outputs available in 12, 15, 24, and -48VDC.

SMOKE/FIRE ALARM

This smoke sensor/alarm monitors for the presence of smoke and/or fire. When detected, it sounds an alarm and closes a form C contact for remote sensing by an Asentria base unit. The sensor requires external power, not supplied. Uses 9VDC alkaline battery for backup power. Indoor use only.

- Coverage area: 150m² (1600 sq. ft)
- Alarm: 3100Hz, 90dBA at 3m
- Operating temperature: 0 to 40°C
- Smoke Alarm 120VAC (ESC-SM1).....\$90
- Smoke Alarm 240VAC (ESC-SM2).....\$115
- Smoke Detector 12-24VDC (ESC-SM3).....\$40
- Add 25' wiring kit (/K25).....\$10
- Add 50' wiring kit (/K50).....\$20
- Add 15VDC power supply (/P15).....\$20
- Example part #: ESC/SM1/K25/P15



WATER SENSOR

Use this device to detect water accumulation or leakage. When water or water-based fluids come into contact with this device, it signals by closing its contact outputs. The Water Sensor works with any Asentria contact-closure input.

Note: Many Asentria base units require the use of a Water Sensor Adaptor to provide power for the water sensors. This adaptor provides power and contact connections for up to 4 water sensors. Water Sensor Adapters require external 15VDC power; or they can be powered directly from an EventSensor port. You can daisy-chain water sensor adapters together with EventSensor RJ45 cables to create a comprehensive water monitoring solution.

Newer base units such as the S450 can power the water sensor directly from the contact-closure inputs, without a water sensor adaptor.

- Water Sensor* (ESC-WS1).....\$30
- Water Sensor Adapter Kit - includes power supply & cables (4162-008).....\$55
- Add 25' wiring kit (/K25).....\$10
- Add 50' wiring kit (/K50).....\$20
- Example part #: ESC-WS1/K25

*The ESC-WS1 Water Sensor does not include the adapter.



Water Sensor



Sensor Adapter

AIR-FLOW SENSOR

The air-flow sensor will indicate via a contact closure if the airflow of a fan goes above or below a rate of 8.2 ft/s. This is useful for determining the loss of AC to server and equipment rooms, potentially triggering an overheating situation.



- Air Flow Sensor (ESC-AF1).....\$55
- Add 25' wiring kit (/K25).....\$10
- Add 50' wiring kit (/K50).....\$20
- Example part #: ESC-AF1/K50